

think
FLEXI





Kiosk-Systems at the Highest Level

Standard kiosk-systems...

...in high-quality, tough construction and stylish design. Our wide product range offers the right system for every purpose. Indoor and outdoor FLEXI-Kiosks always provide for contemporary infotainment. From a simple internet-kiosk up to a 105" digital signage.

And if that is not enough...

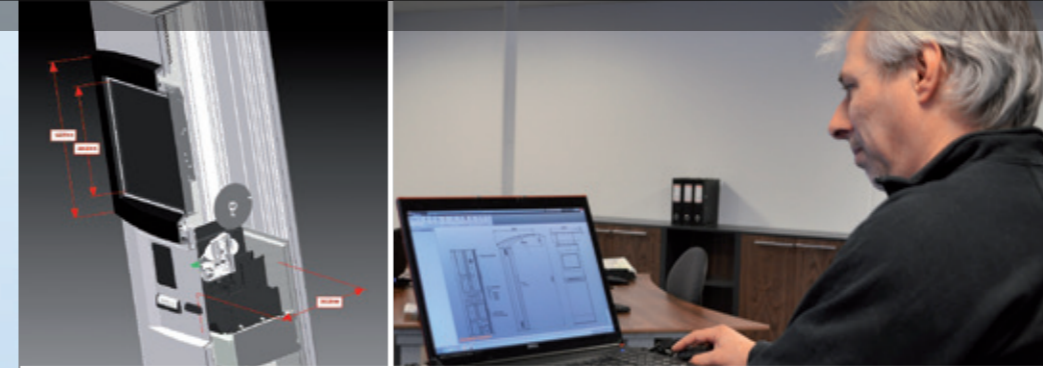
...Customizing,

for special requirements according to individual customer needs. With special equipment, on special locations or with a special design. Whether for door signages or solutions in XXL. For indoor and outdoor usage. FLEXI-specific kiosks will be specially designed and manufactured for you. Let us know your requirements...

...we will invent your solution!



You are always welcome in our showroom. Here, you will be able to experience any product "live". It is always worth touching as you can feel the systems' quality. Our team will do their best to give you solid advice and will show you the visual possibilities.



Thinking **FLEXI**

Kiosks and Digital Signage products made by Rosendahl are manufactured of aluminium, in a slim, curved design and with a superior finish, to ensure first-class appearance. Our primary focus is the level of service the product adds to your value, it must be easy to access and maintain, while having a beautiful product. As we have an advanced expertise in kiosk systems engineering, we can easily adapt to our customers' needs, making the solution they desire become reality. If you need a complete payment system, or other specific ingegrated functions - you decide, we make the solution.

Rosendahl Conceptkiosk are always striving to ensure customer satisfaction, by being as involved as you need us to be. In the development process of a customized solution, we invite the people involved to internet meetings, to ensure that everything fits the desired demands.

We are always approaching challenges with a smile, to find the right solution, in the best way possible. Do not hesitate to ask us for assistance.

Your ROSENDAHL Team

The practical solution
for indoor use



FLEXIMIDI - Product Information

Product Features:

The FlexiMidi has a very unique design. It is built with a beautiful curve and can easily be adapted to any indoor environment, to give a unique presence. FlexiMidi can be made with various

options, including printers, payment systems and card readers. We always try to adapt the FlexiMidi for your needs. It is popular at hospitals, receptions, tourist information areas,

exhibitions, town halls, shopping centres & educational institutions – these are some of the places it is being used.

Where would your FlexiMidi be placed?

Technical Data:

Size:	19"	22"
Width	519 mm	638 mm
Height	1.633 mm	1.600 mm
Stand area	519 x 504 mm	640 x 510 mm

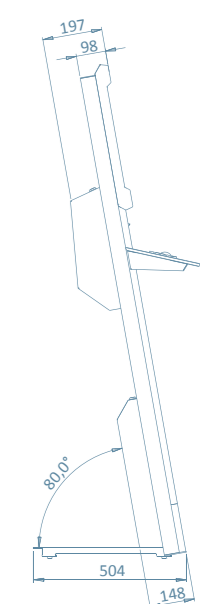
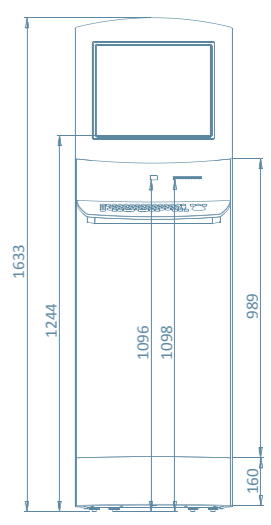
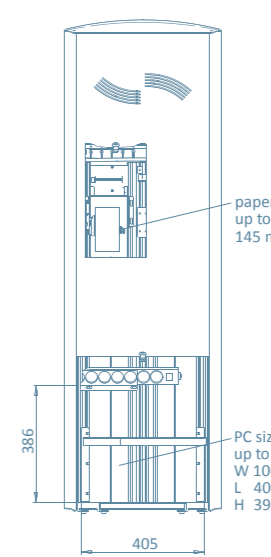
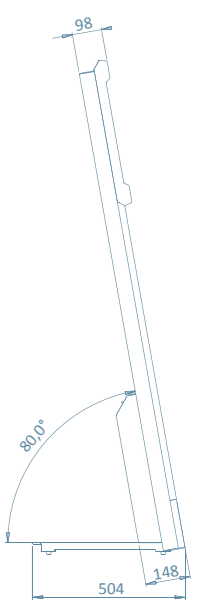
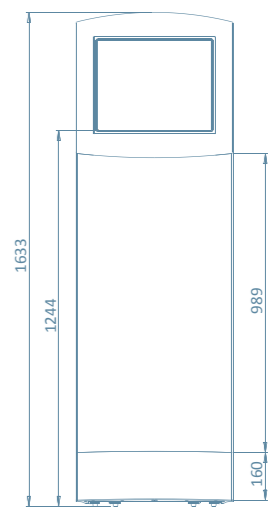
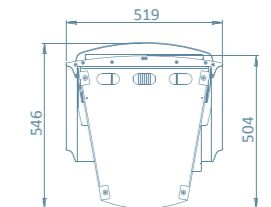
Materials:	
Enclosure	Special anodized aluminium profile
Monitor frame	Aluminium, powder coated (Black structure)
Front panel	Aluminium, anodized
Kick plate	Stainless steel, brushed
Footplate	Steel, powder coated

Surface:	
Enclosure & front panel	Silver colored, anodized E6/EV1, optional RAL coated/painted or digital printing lamination
Monitor frame	Aluminium, powder coating (Black structure). Optional: Powder coating according to RAL colors

Standard Components:

Display	19" SVGA (1.280 x 1.024 px) / 22" Full HD (1.920 x 1.080 px) Contrast ratio 1.000:1 / Brightness 300 cd/m ²
Touchscreen	19" / 22" SAW touch monitor
Prebuilt for PC	Holder for standard PCs SSF - or USSF-Enclosure incl. 230 V power

Special Features:



paper roll
up to
145 mm

PC size:
up to
W 100
L 400
H 390



Compact touch pleasure



Product Features:

The FlexiBasic is a very simple built kiosk. It is not as high as some of the other kiosks, instead the monitor is tilted, which makes the viewing angle for the user unique. When there is just a basic

requirement, and not a need for integrated payment systems etc., this is a very simple product. With that said, we are able to build in items, in case you need it. It is popular at exhibitions, car showrooms

and a lot of other places with basic needs. This kiosk offers a simple design and it is simple to use.

Where would your FlexiBasic be placed?

Technical Data:

Size:	19"	22"
Width	519 mm	638 mm
Height	1.260mm	1.260 mm
Stand area	519 x 504 mm	638 x 510 mm

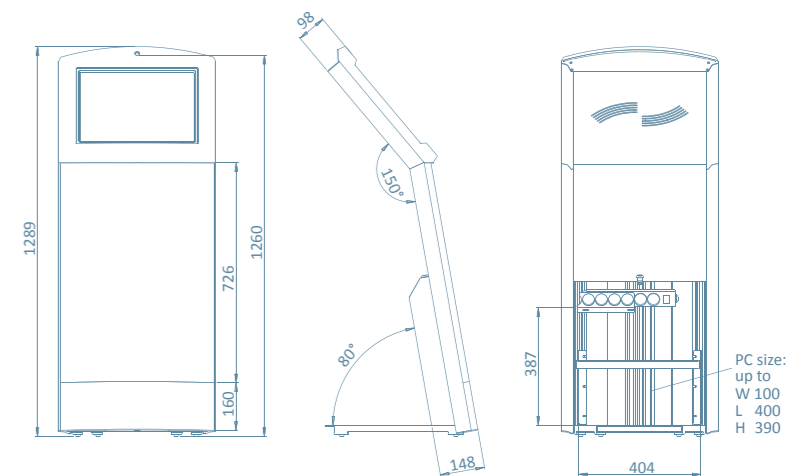
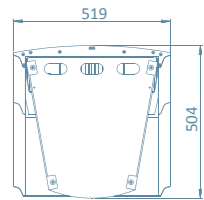
Materials:	
Enclosure	Special anodized aluminium profile
Monitor Frame	Aluminium, powder coated
Front panel	Aluminium, anodized
Kick plate	Stainless steel, brushed
Footplate	Steel, powder coated

Surface:	
Enclosure & front panel	Silver colored, anodized E6/EV1, optional RAL coated/painted or digital printing lamination
Monitor Frame	Aluminium, powder coating (Black structure). Optional: Powder coating according to RAL colors

Standard Components:

Display	19" SVGA (1.280 x 1.024 px) / 22" Full HD (1.920 x 1.080 px) Contrast ratio 1.000:1 / Brightness 300 cd/m ²
Touchscreen	19" / 22" SAW touch monitor
Prebuilt for PC	Holder for standard PCs SSF - or USSF-Enclosure incl. 230 V power

Special Features:



PC size:
up to
W 100
L 400
H 390



A small angle with a great effect 



Product Features:

The FlexiTilt in our well-known curved aluminium danish design, and in our aluminium profiles and with an aluminium footplate. The high level of finish ensures a beautiful all-around solution, to install in any indoor environment. Due to FlexiTilt

bending forward, you have more space for your legs, giving you a better user experience when interacting. The unit also works very well for disabled users in wheel chairs, as they have the space below monitor for their legs. It has integration options; see

below list of special features. Installed at many different locations, due to its exclusive design, fitting into most environments. Where would your FlexiTilt be placed?

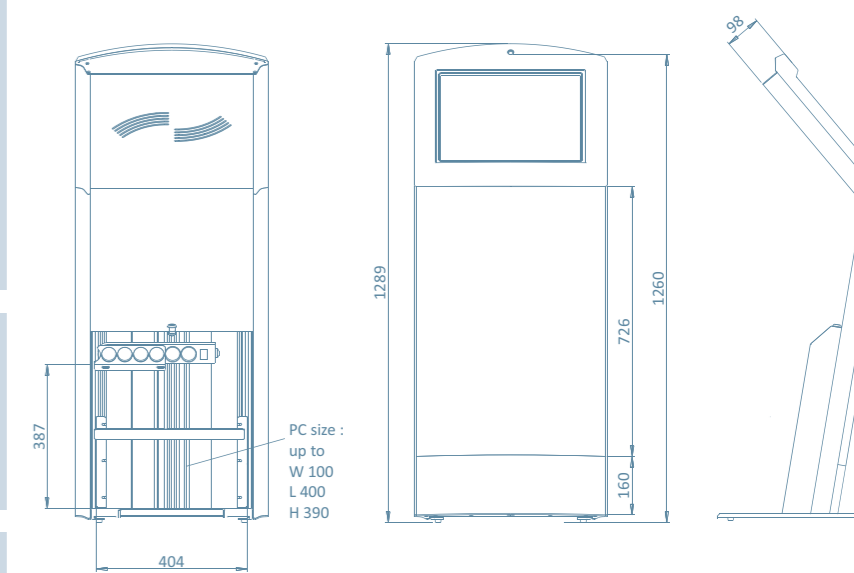
Technical Data:

Size:	19"	22"	32"
Width	519 mm	638 mm	920 mm
Height	1.330mm	1.250 mm	1.400 mm
Stand area	630 x 600 mm	680 x 600 mm	980 x 700 mm
Materials:	Special anodized aluminium profile		
Enclosure	Aluminium, powder coated		
Monitor Frame	Aluminium, anodized		
Footplate	Steel, powder coated		
Surface:	Silver colored, anodized E6/EV1, optional RAL coated/painted or digital printing lamination		
Enclosure & front panel	Aluminium, powder coating (Black structure). Optional: Powder coating according to RAL colors		
Monitor Frame	Aluminium, powder coating (Black structure). Optional: Powder coating according to RAL colors		

Standard Components:

Display	19" SVGA (1.280 x 1.024 px) / 22" / 32" Full HD (1.920 x 1.080 px) Contrast ratio 1.000:1 / Brightness 300 cd/m ²
Touchscreen	19" / 22" / 32" SAW touch monitor
Prebuilt for PC	Holder for standard PCs SSF- or USSF-Enclosure incl. 230 V power

Special Features:





The all-rounder for POI & POS...



Product Features:

The FlexiMaxi in our well-known curved aluminium Danish design, and in our profiles with an aluminium footplate. It comes in two designs, as seen on the two models to your right. Both models are available with many configurations, and used where there is a need for many integrations, such

as a payment system with printers. The Royal Theatre in Copenhagen uses it as a ticket system, where people can buy and print their tickets for the show. Siemens bank uses the solution for their banks, with an integrated passport scanner. The two models can be configured for your

projects. It is a professional kiosk, that is custom built to protect the solution you are in need of, whether it would be handling payments, or printing tickets.

Where would your FlexiMaxi be placed?

Technical Data:

Size:	19"	22"
Width	519 mm	638 mm
Height	1.820 mm	1.820 mm
Depth	197 mm (up to 600 mm)	197 mm (up to 600 mm)
Stand area	566 x 544 mm	680 x 550 mm

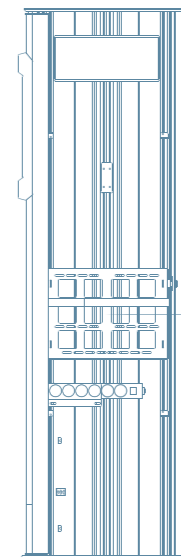
Materials:	
Enclosure	Special anodized aluminium profile
Monitor Frame	Aluminium, powder coated (Black structure)
Front panel	Aluminium, anodized. Optional: Colored coating and/or corporate branding
Kick plate	Stainless steel, brushed
Footplate	Steel, powder coated

Surface:	
Enclosure & front panel	Silver colored, anodized E6/EV1, optional RAL coated/painted or digital printing lamination
Monitor Frame	Aluminium, powder coating (Black structure). Optional: Powder coating according to RAL colors

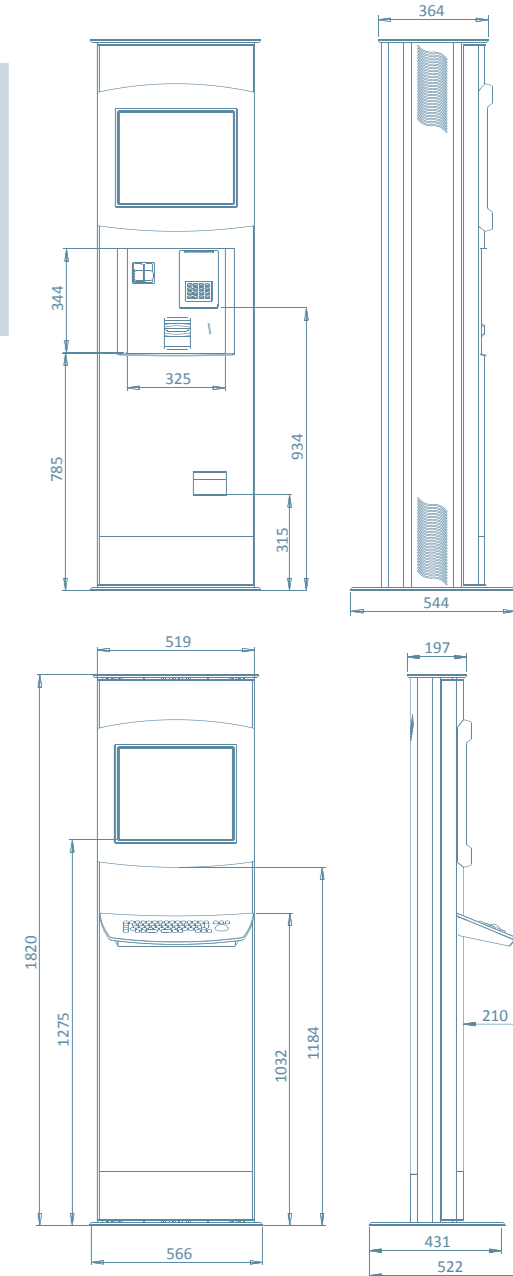
Standard Components:

Display	19" SVGA (1.280 x 1.024 px) / 22" Full HD (1.920 x 1.080 px)
Touchscreen	19" / 22" SAW touch monitor
Prebuilt for PC	Holder for standard PCs SSF or USSF-Enclosure incl. 230 V power

Special Features:



PC size:
up to
W 100
L 390
H 400





Accessibility for everyone...



Product Features:

The FlexiAdjust is ideal for disabled users, children and senior users. It is built so it can be adjusted in height, so a person in a wheelchair is able to touch the monitor or "the active area".

Even though the FlexiAdjust is ideal for servicing disabled users, able bodied customers can also use it. The FlexiAdjust is popular at places where everybody must be able to check information. For example

Rabobank has a bank servicing customers only with kiosks, no staff. Therefore Rabobank uses FlexiAdjust kiosks to ensure equally good service for every single customer.

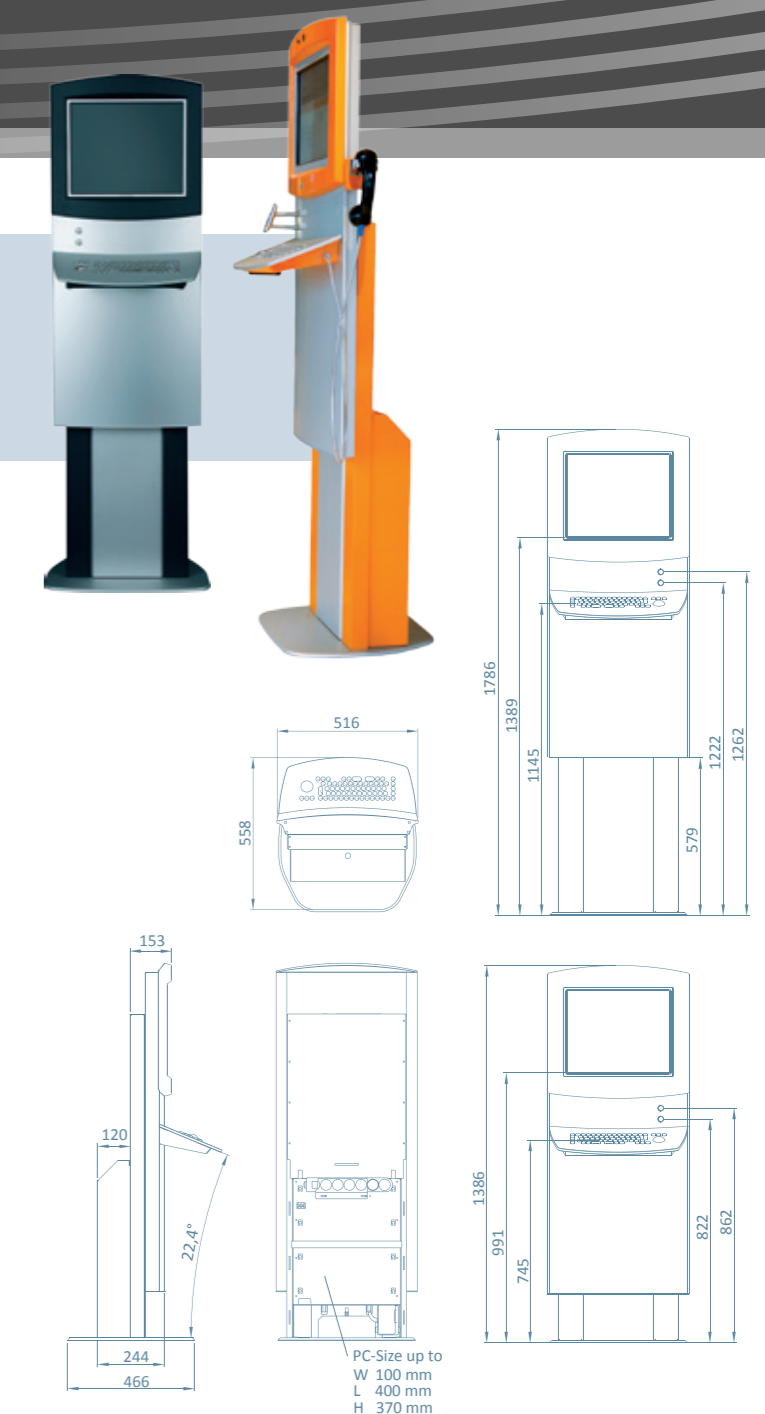
Technical Data:

Size:	19"	22"
Width	519 mm	638 mm
Height	1.386 - 1.786 mm	1.386 - 1.786 mm
Stand area	519 x 466 mm	660 x 500 mm
Materials:	Special anodized aluminium profile	
Enclosure	Aluminium, powder coated (Black structure)	
Monitor Frame	Aluminium, powder coated (Black structure)	
Front panel	Aluminium, anodized. Optional: Colored coating and/or corporate branding	
Footplate	Aluminium, anodized	
Surface:	Silver colored, anodized E6/EV1, optional RAL coated/painted or digital printing lamination	
Enclosure & front panel	Silver colored, anodized E6/EV1, optional RAL coated/painted or digital printing lamination	
Monitor Frame	Aluminium, powder coating (Black structure). Optional: Powder coating according to RAL colors	

Standard Components:

Display	19" SVGA (1.280 x 1.024 px) / 22" Full HD (1.920 x 1.080 px) Contrast ratio 1.000:1 / Brightness 300 cd/m ²
Touchscreen	19" / 22" SAW touch monitor
Prebuilt for PC	Holder for standard PCs SSF- or USSF-Enclosure incl. 230 V power

Special Features:



PC-Size up to
W 100 mm
L 400 mm
H 370 mm



Small but tough...

Product Features:

The FlexiWall is the most compact unit in the Flexi Series. In spite of its small dimensions and flat design, it offers sufficient space for complete multimedia outfitting. The slightly curved front significantly

enhances the flat appearance of the unit. The service-friendly, lockable maintenance doors provide easy handling and optimal access to the technology.

Here also, the easy to configure and freely exchangeable front panels as well as variable colour schemes offer individual design options to meet every customer requirement.



Technical Data:

Size:	19"	22"
Width	519 mm	638 mm
Height	731 mm (up to 1.200 mm)	730 mm (up to 1.200 mm)
Depth:	153 mm (177 mm)	153 mm (177 mm)

Materials:	
Enclosure	Special anodized aluminium profile
Monitor Frame	Aluminium, powder coated (Black structure)
Front panel	Aluminium, anodized. Optional: Colored coating and/or corporate branding

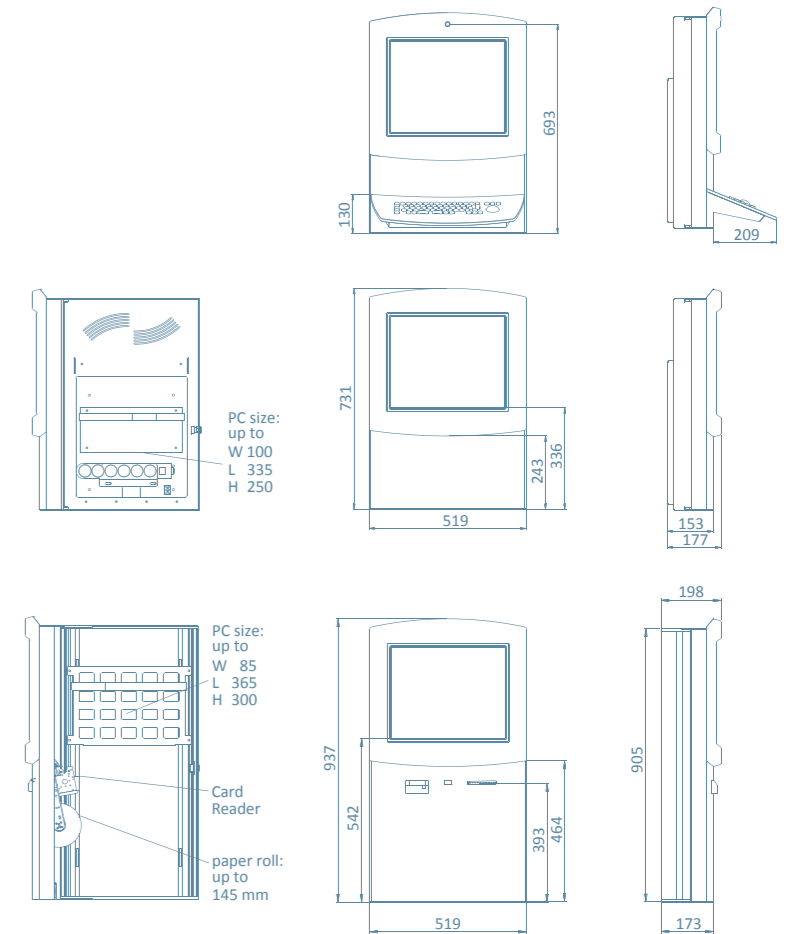
Surface:	
Enclosure & front panel	Silver colored, anodized E6/EV1, optional RAL coated/painted or digital printing lamination

Monitor Frame	Aluminium, powder coating (Black structure). Optional: Powder coating according to RAL colors
---------------	---

Standard Components:

Display	19" SVGA (1.280 x 1.024 px) / 22" Full HD (1.920 x 1.080 px) Contrast ratio 1.000:1 / Brightness 300 cd/m ²
Touchscreen	19" / 22" SAW touch monitor
Prebuilt for PC	Holder for standard PCs SSF or USSF-Enclosure incl. 230 V power

Special Features:



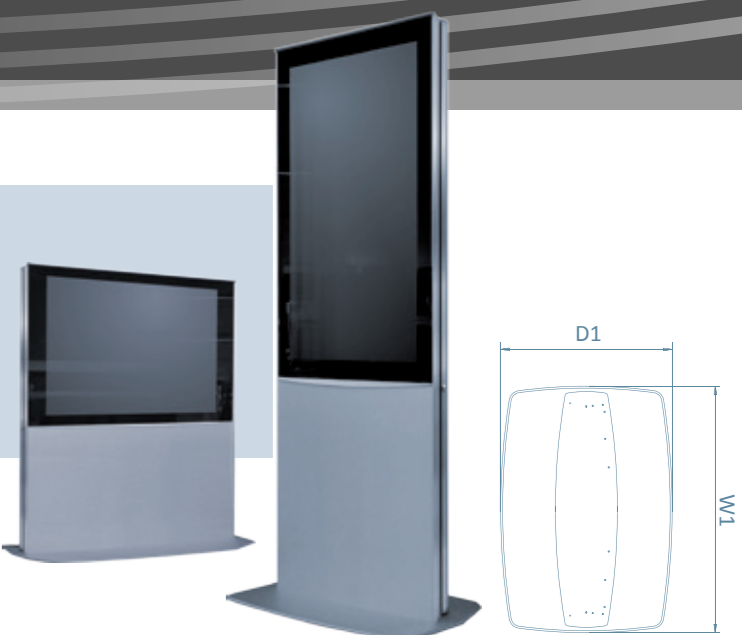


Product Features:

The FlexiMega in our well-known curved aluminium danish design, while having a high level finish, it is easy to access for maintaining both monitor and other components. It is available with monitor sizes from 32" and above, without a limit for monitor sizes, and always in the same design. Great for

displaying advertising or giving information to users and people passing by. Available with an infrared or touch foil, and making it an interacting totem with your solutions on. Used in many different projects and locations, commonly where there is a need to get bypassing users attention, and it is great for

providing information to every user. We have installed the FlexiMega in supermarkets, airports and on exhibitions where there is many people, everyone needs information, and our totem does the job. Where would your FlexiMega be placed?



Technical Data:

Size	Portrait (W x H x D)	Landscape (W x H x D)	Viewable size (W x H)
32"	690 x 2.120 x 194	1.000 x 2.120 x 210	392 x 697
40"	760 x 2.120 x 194	1.148 x 2.120 x 220	498 x 885
46"	833 x 2.120 x 194	1.280 x 2.120 x 230	572 x 1.018
65"	920 x 2.120 x 205	1.460 x 2.120 x 250	815 x 1.440
70"	1.200 x 2.120 x 220	1.878 x 2.120 x 280	871 x 1.594
82"	1.350 x 2.300 x 280	2.200 x 2.300 x 300	1.015 x 1.805

Monitor sizes > 82" on request

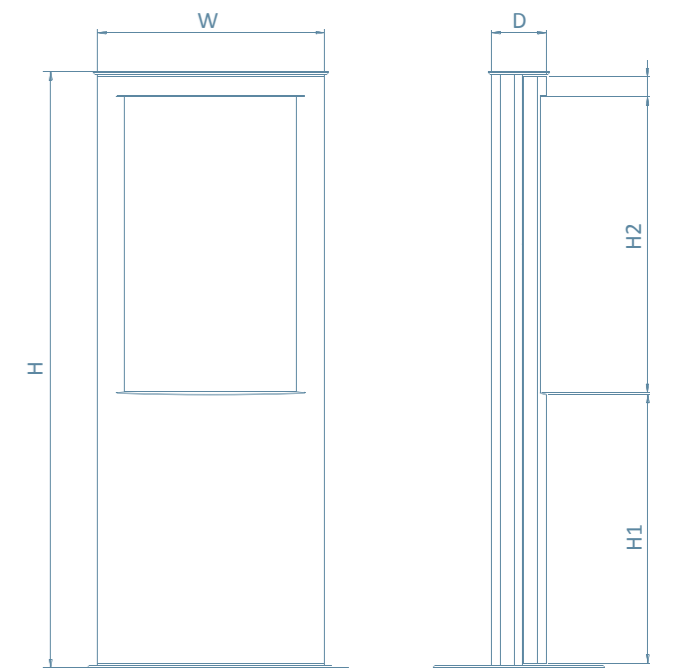
Materials:	All dimensions and technical specifications are subject to change.		
Enclosure	Special anodized aluminium profile		
Monitor Frame	Laminated safety glass, 8 mm thickness		
Front panel	Aluminium, anodized. Optional: Colored coating and/or corporate branding		
Footplate	Aluminium, anodized		

Surface:	Silver colored, anodized E6/EV1, optional RAL coated/painted or digital printing lamination		
----------	---	--	--

Standard Components:

Display	High-quality public information displays for permanent non-stop operation
Brightness	700 cd/m ²
Full HD feature	as of 40" display size
Prebuilt for PC	Including 230 V terminal panel and universal bracket for PCs up to 370 x 400 x 80 mm

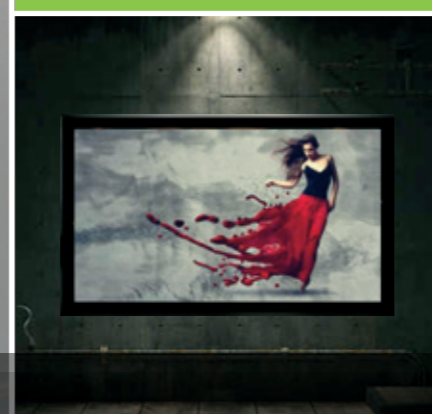
Special Features:



Showing true greatness at the POI...



Bright.
Flat.
Big.



Product Features:

The FlexiMegaWall a wall hanging enclosure, with a high finish to give your wall hanging monitor an exclusive look. Just like the freestanding FlexiMega, the wall version is available with an infrared or touch foil to

make it interactive for the user, providing the information they need. Our enclosure provides your wall hanging professional monitors extra protection, with a glass frame in front, and no user is able to touch the monitor

directly, or harm it. Especially useful when you install a monitor in a place, where many people passing by, for instance in a shopping mall or an airport.

Technical Data:

Size	Portrait (W x H x D)	Landscape (W x H x D)	Viewable size (W x H)
32"	540 x 850 x 110	840 x 550 x 110	392 x 697
40"	640 x 1.040 x 110	1.030 x 650 x 110	498 x 885
46"	720 x 1.170 x 110	1.160 x 730 x 110	572 x 1.018
55"	820 x 1.360 x 110	1.350 x 830 x 110	815 x 1.440
70"	1.020 x 1.750 x 110	1.750 x 1.030 x 110	871 x 1.594
80"	1.140 x 1.960 x 110	1.950 x 1.300 x 110	996 x 1.117

All dimensions and technical specifications are subject to change.

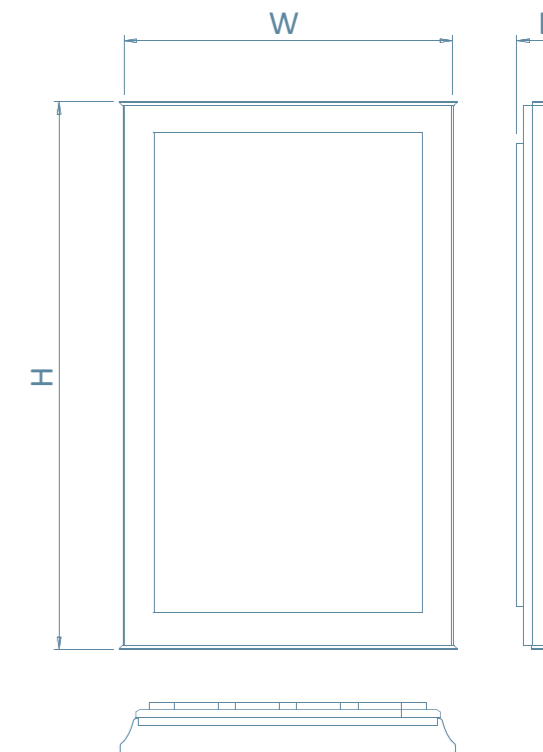
Materials:

Frame profiles	Special anodized aluminium profile
Front panel	Laminated safety glass, 8 mm thickness
Back panel	Steel, powder coated
Wall mounting bracket	Steel, powder coated

Standard Components:

Display	High-quality public information displays for permanent non-stop operation
Brightness	450 cd/m ² up to 700 cd/m ²
Resolution	Full HD (1.920 x 1.080 px)
Prebuilt for PC	Including 230V terminal panel and universal bracket for PCs up to 370 x 400 x 80 mm

Special Features:





Professional technology
at amateur prices



Product Features:

The FlexiTableElo is a table version Digital Signage. It is a beautiful design in aluminium for every indoor environment. It is installed with an Elo IDS-series monitor, which have intellitouch or projected capacitive touch technology. They are very accurate, and easy to use for the interacting user, giving them all the information from your content. The table version have the same base, so you can always upgrade your monitor to a bigger size if necessary. A professional, easy-to-service product, which is

being used in many projects. Most known, is BMW in UK using several for their stores, to be able to browse through the different cars, to see colors and configuration. Where would your FlexiTableElo be used?

Technical Data:

Size in mm	Portrait (W x H x D)	Footprint area (W x D)	Viewable size (W x H)
32"	600 x 2.120 x 157	700 x 540	394 x 699
42"	697 x 2.120 x 157	796 x 542	525 x 932
55"	860 x 2.120 x 157	900 x 600	680 x 1.210

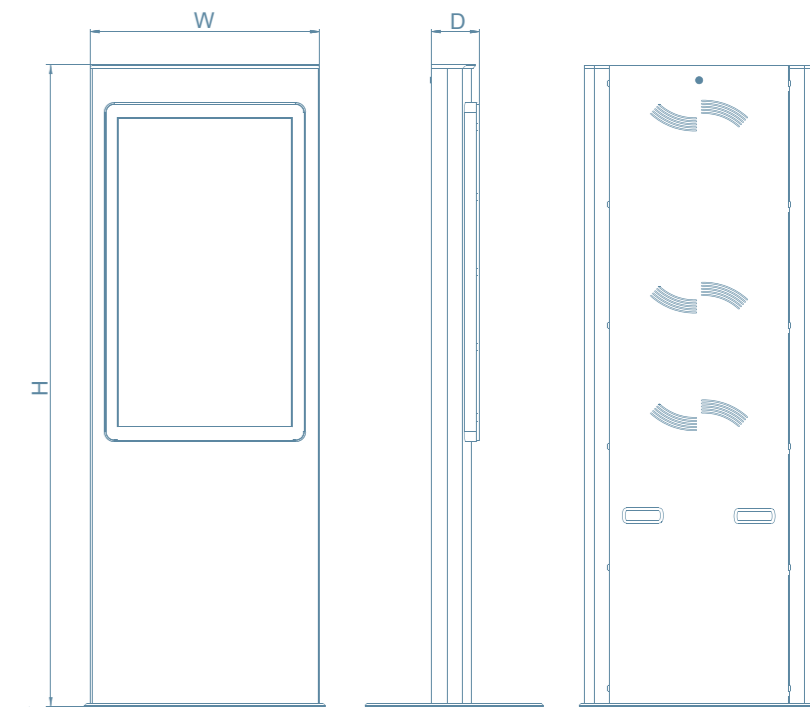
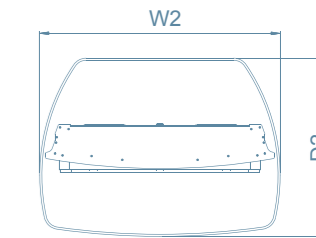
All dimensions and technical specifications are subject to change.

Materials:	Special anodized aluminium profile
Enclosure	Aluminium, anodized. Optional: Colored coating and/or corporate branding
Front panel	Aluminium, anodized
Footplate	Aluminium, anodized
Surface:	Silver colored, anodized E6/EV1, optional RAL coated/painted or digital printing lamination
Enclosure & front panel	

Standard Components:

Display	High-quality public information displays for permanent non-stop operation
Brightness	450 cd/m ²
Full HD display	As of 32" display size
Touchscreen	Robust SAW touch screen with high touch accuracy
Sound	2 x 10 Watt
Prebuilt for PC	Including 230 V terminal panel and universal bracket for PCs up to 370 x 400 x 80 mm

Special Features:





Perfectly informed
in any weather...

Product Features:

The FlexiOutdoor is the kiosk which can be used in extreme outdoor environments. It has a great endurance to both warm and cold conditions. It can withstand the heat of Hawaii or the cold in the Alps, even though there is a blizzard. It has a lot of options, it can be built with printers,

keyboards, payment systems and much more. The monitors which are mounted, are high brightness so you can read the screen even in sun light. The kiosk has a temperature device so it can handle the harsh outdoor environments. As a novelty, our keyboards have been developed

with heat in them, so they can't freeze. Flexi Outdoor was recently used in the ski Alps to advertise for Nissan's new tires, where it was very cold. This kiosk can handle extreme cold as well as heat environments which makes it perfect for all outdoor use.



Technical Data:

Size in mm (WxD)	Floor-mounted 519 x 1.820 x 285	Wall-mounted 519 x 1.070 x 228
Stand area incl. footplate	565 x 312 mm	
Weight	from approx. 71 kg	from approx. 47 KG

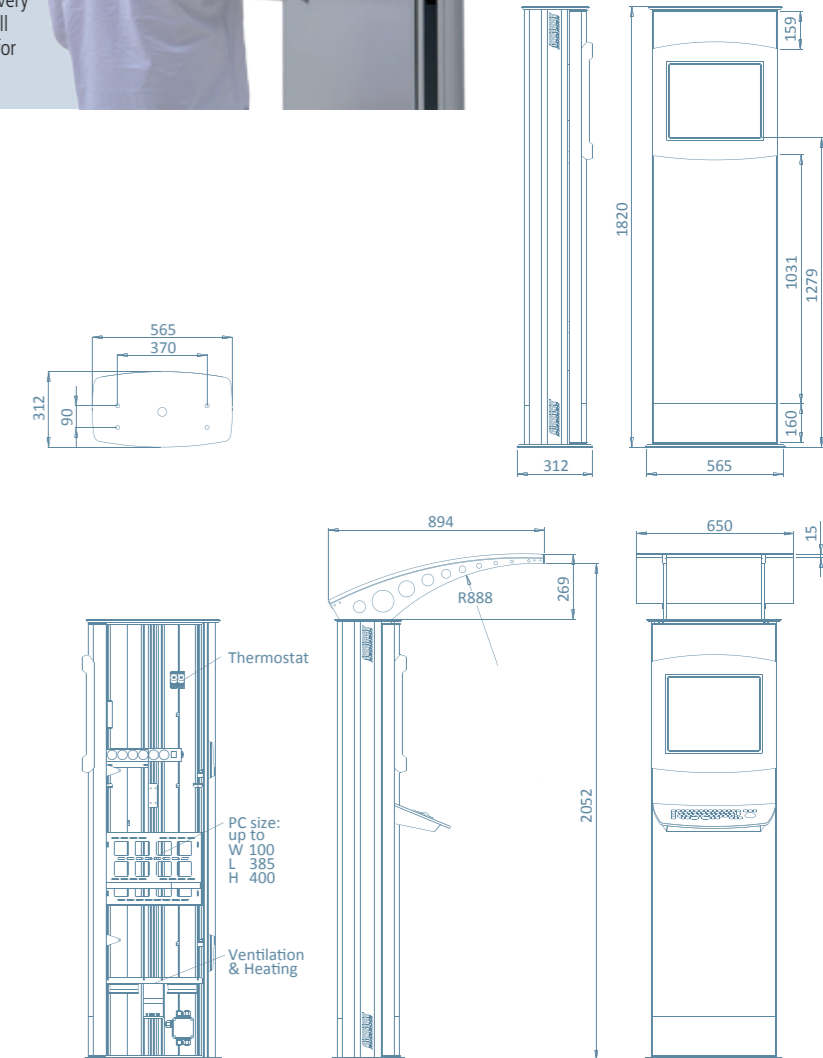
Materialien:	Special powder coated aluminium profile
Enclosure	Aluminium, powder coated (Black structure)
Monitor	Aluminium, powder coated
Front panel	Aluminium, powder coated
Safety locks	Dirak safety lock system
Footplate	Aluminium, powder coated

Surface:	
Enclosure & front panel	Aluminium, special powder coating for outdoor use. Optional: RAL coated/painted or digital printing lamination
Display frame	Special coating in black (micro structure), optionally coated according to RAL on request

Standard Components:

Monitor	19" high-brightness TFT with light sensor, brightness 1.600 cd/m ² , Contrast ratio 1.000:1 Resolution 1.280 x 1.024
Touch	Projected capacitive touch panel
Prebuilt for PC	Holder for standard PCs SFF- or USFF-Enclosure incl. 230 V power
Heating and cooling	Heating with thermostat and ventilation

Special Features:





Big pictures in any place



Product Features:

The FlexiMegaOutdoor is a professional, innovative and robust outdoor solution with easy access for service areas, while maintaining a high level of design. Developed to be installed in the most harsh outside environments, whether it is warm or cold. Installed

with airflow system and a heater, to handle the outdoor temperatures. Thermostats control when the blowers or heater will turn on, to keep the FlexiMegaOutdoor as environmental friendly as possible. The unit's airflow system is using low power consump-

tions, which in normal conditions are 5 WATT per hour. The outdoor is used in many different locations, most recognizable is Sochi Winter Olympics 2014, an installment with 15 units, to give information for the guests in Sochi and also working as a WiFi hotspot. Also

installed as wall units in Metzingen, an Outlet city in Germany to advertise for the various stores. The possibilities are endless.



Technical Data:

Size	Portrait (W x H x D)	Landscape (W x H x D)	Viewable size (W x H)
32"	540 x 850 x 350	840 x 550 x 380	392 x 697
46"	720 x 1.170 x 350	1.160 x 730 x 380	572 x 1.018
55"	820 x 1.360 x 350	1.350 x 830 x 380	688 x 1.217
65"	1.000 x 1.620 x 350	1.750 x 1.630 x 380	810 x 1.440
75"	1.100 x 1.780 x 350	1.750 x 1.800 x 380	932 x 1.650
84"	1.220 x 2.050 x 350	1.950 x 2.050 x 380	1.045 x 1.850

All dimensions and technical specifications are subject to change.

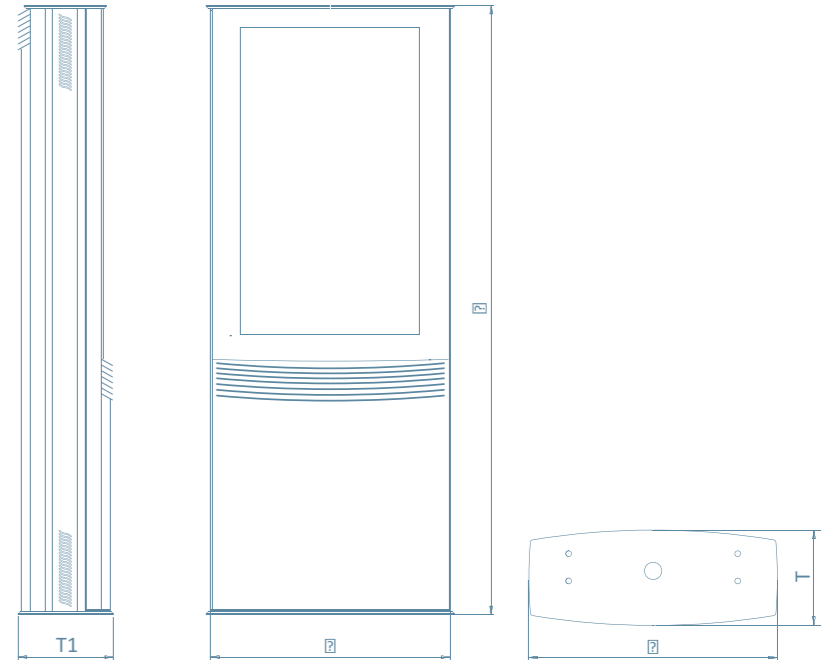
Materials:

Enclosure: Special anodized aluminium profile
 Display glas: Laminated safety glass, 8 mm thickness
 Front panel: Aluminium, special powder coating for outdoor use. Optional: RAL coated/painted or digital printing
 Foot plate: Aluminium, powder coated

Standard Components:

Display: High performance public information displays with LED lighting for 24 h using
 Brightness: From 1.500 cd/m² up to 5.000 cd/m²
 Resolution: Full HD (1.920 x 1.080 px)
 Prebuilt for PC: Including 230 V terminal panel and universal bracket for PCs up to 370 x 400 x 80 mm

Special Features:





Product Features:

The FlexiMega Outdoor Wall is used in outdoor environments, and is built to sustain tough weather conditions. It has a temperature device built-in to control the temperature so it is not too hot or cold, which could cause condensation in

the machine. It has the same options as the FlexiMegaOutdoor. It is often built with a touch screen panel, and always a high brightness monitor from 32"-70", so you can see it even though the sun is shining onto the screen. It is used at

several train stations at the moment, but the opportunities are endless with this model.

So, where would your FlexiMegaOutdoor Wall be placed?

Technical Data:

Size / Brightness:	Portrait (W x H x D)	Landscape (W x H x D)	Viewable size (W x H)
32" / 1.100 cd/m ²	690 x 1.200 x 300	1.000 x 900 x 210	392 x 697
46" / 1.500 - 3.000 cd/m ²	850 x 1.550 x 350	1.320 x 1.100 x 230	572 x 1.018
47" / 2.500 cd/m ²	850 x 1.550 x 350	1.320 x 1.100 x 230	585 x 1.040
55" / 2.500 - 5.000 cd/m ²	920 x 1.720 x 340	1.460 x 1.200 x 250	688 x 1.217
65" / 2.500 cd/m ²	1.200 x 1.960 x 400	1.900 x 1.335 x 450	815 x 1.440
70" / 2.500 cd/m ²	1.200 x 2.120 x 400	1.900 x 1.400 x 450	871 x 1.594

All dimensions and technical specifications are subject to change.

Materials:

Enclosure	Special anodized aluminium profile
Front window	Laminated safety glass, 8 mm thickness
Wall mounting	Stainless steel

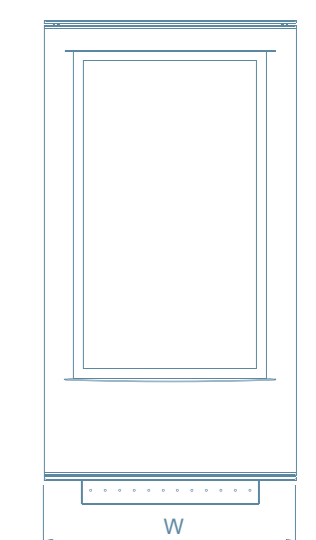
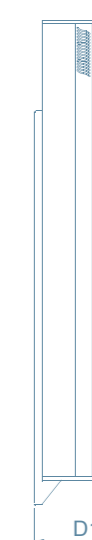
Surfaces:

Completely weatherproof coated/painted, silver colored or optionally coated according to RAL on request
Alternatively sea water resistant coating or surface finish in digital printing technology

Standard Components:

Monitor	TFT monitors for 24/7 activity · Resolution 768 x 1.366 or 1.920 x 1.080 (Full HD, Viewing angle 170° V/H · Contrast ratio 1.200:1 · Brightness 700 cd/m ² up to 5.000 cd/m ²)
Prebuilt for PC	Holder for standard PCs SFF - or USFF-Enclosure incl. 230 V power
Heating and cooling	Integrated heating with thermostat and ventilation

Special Features:



- Standard equipment
- Available as an option
- ▲ Special design

	FLEXIBASIC + FLEXTILT	FLEXIMIDI	FLEXIADJUST	FLEXIMAXI	FLEXIMEGA	FLEXI ELO	FLEXIMEGAOUTDOOR	FLEXIOUTDOOR 19	FLEXIMEGAOUTDOOR WALL	FLEXIOUTDOOR WALL 19	FLEXIWALL
Display formats:											
19" SXGA 5:4 (1280 x 1024)	●	●	●	●				●		●	●
22" FHD 16:9 (1.920 x 1.080)	○	○	○	○				○		○	○
32" HD 16:9 (1.366 x 768)					○	○	○		○		
40" FHD 16:9 (1.920 x 1.080)					○	○	○		○		
42" FHD 16:9 (1.920 x 1.080)					○	○	○		○		
46" FHD 16:9 (1.920 x 1.080)					○ 46/47"	●	○		○ 46/47"		
55" FHD 16:9 (1.920 x 1.080)					●	○	●		●		
60" FHD 16:9 (1.920 x 1.080)					○	○	○		○		
65" FHD 16:9 (1.920 x 1.080)					○	○	○		○		
70" FHD 16:9 (1.920 x 1.080)					○	○	○		○		
82" FHD 16:9 (1.920 x 1.080)					○	○	○		○		
Landscape (horizontal)	●	●	●	●	○	○	○	●	○	●	●
Portrait (vertical)	○	○	○	○	●	●	●		●		
Display brightness:											
Standard 250 cd/m ²	●	●	●	●							●
Standard 450 cd/m ²						●					
Extra Bright 700 cd/m ²					●		○		○		
High Bright 1.500 cd/m ²					○ 46"		●		●	●	
High Bright 2.500 cd/m ²					○ 47/55/65"		○ 47/55/65"		○ 47/55/65"		
High Bright 3.000 cd/m ²					○ 46"		○ 46"		○ 46"		
High Bright 5.000 cd/m ²					○ 55"		○ 55"		○ 55"		
Automatic brightness control					●	●	●		●	●	
Input system:											
SAW-Touchscreen	●	●	●	●		●					●
Outdoor-Touchscreen							○	●	○	●	
Infrared-Touchscreen					○	○			○		
Stainless steel keyboard		○	○	○	▲		▲	○		○	○
Plastic keyboard		○	○	○	▲						○
Trackball		○	○	○	▲		○	○		○	○
PC controller:											
Atom (Dual core)	○	○	○	○	○	○	○	○	○	○	○
Core 2 Duo	○	○	○	○	○	○	○	○	○	○	○
i3/i5/i7	○	○	○	○	○	○	○	○	○	○	○

- Standard equipment
- Available as an option
- ▲ Special design

	FLEXIBASIC + FLEXTILT	FLEXIMIDI	FLEXIADJUST	FLEXIMAXI	FLEXIMEGA	FLEXI ELO	FLEXIMEGAOUTDOOR	FLEXIOUTDOOR 19	FLEXIMEGAOUTDOOR WALL	FLEXIOUTDOOR WALL 19	FLEXIWALL
Printer:											
Thermal printer 60/80 mm	○	○	○	○	○			○	○	○	○
Thermal printer 112 mm	○	○	○	○	○			○	○	○	○
Thermal printer DIN A4	○	○		○	○			○	○	○	○
Laser printer DIN A4				○							
Multimedia:											
Soundsystem	○	○	○	○	○	●	○	○	○	○	○
Webcam	○	○	○	○	○	○	○	○	○	○	○
Hands-free kiosk phone	○	○	○	○	○		○	○	○	○	○
Phone-handset with armour cord	○	○	○	○	○		○	○	○	○	○
Headphone output	○	○	○	○	○						
Authentication:											
Card-/Chip-Reader RFID & NFC	○	○	○	○	○		○	○	○	○	○
Barcode-Reader	○	○	○	○	○		○	○	○	○	○
Magnetic-Stripe-Reader	○	○	○	○	○				○	○	○
Biometric Scanner	○	○	○	○	○		○	○	○	○	○
Signature-Pad			○	○	○		○	○	○	○	○
Payment:											
Coin acceptor		○		○	○		○	○	○	○	○
Note acceptor				○	○		○	○	○	○	○
Coin returner				○			○		○		○
Credit card acceptor/system	○	○	○	○	○		○	○	○	○	○
Connectivity:											
WLAN	○	○	○	○	○	○	○	○	○	○	○
UMTS/3G	○	○	○	○	○	○	○	○	○	○	○
LAN	○	○	○	○	○	○	○	○	○	○	○
USB-Port (external)	○	○	○	○	○	○	○	○	○	○	○
Surfaces and brandings:											
Special color according to RAL	○	○	○	○	○	○	○	○	○	○	○
Seawater resistant coating							○	○	○	○	○
Special design (digital printing)	○	○	○	○	○	○	○	○	○	○	○
Changeable front cover	○	○	○	○	○	○	○	○	○	○	○



ROSEND AHL
Design, Quality & Service

Rosendahl Conceptkiosk A/S

Thorsvej 233 · 7200 Grindsted · Denmark
Phone: +45 76 72 02 60 · Mail: info@conceptkiosk.com

WWW.CONCEPTKIOSK.COM

